

■ PG136 Series

Features 特点

- Susing flat wire, and SMD type. 采用扁平线，贴片类型
- Low radiation noise by magnetically shielded construction
闭合磁路封装，低辐射
- High current, Low resistance. 大电流，低电阻
- Operating temperature : -40°C~+125°C. 工作温度：-40°C~+125°C
- Tape and reel packaging: -40°C to +80°C 卷带包装：-40°C 至 +80°C
- Resistance to soldering heat Max three 40 second reflows at +260°C, parts cooled to room temperature between cycles
耐焊接热最多三个 40 秒回流 +260°C，部件在循环之间冷却至室温
- Moisture Sensitivity Level (MSL) 1 (unlimited floor life at <30°C / 85% relative humidity)
湿气敏感度等级 (MSL) 1 (在 <30°C 时的无限车间寿命/ 85% 相对湿度)



Applications 应用

- high efficiency DC/DC converters. 高效 DC/DC 转换器
- Single and polyphase buck converters. 单相、多相降压转换器
- Optimized for high current boost applications. 大电流升压应用优化

Electrical characteristics 电气特性

Part number	① Inductance μH ±20%	② DC resistance mΩ		③ SRF typical MHz	④ Isat A typical			⑤ Irms A typical	
		typ	max.		10% drop	20% drop	30% drop	20°C rise	40°C rise
PG136-201ML	0.2	0.35	0.39	230	45	52	65	18.1	27.5
PG136-471ML	0.47	0.67	0.74	100	25	42	50	17.9	26.8
PG136-821ML	0.82	0.9	0.99	72	28	40	46	17.0	25.0
PG136-132ML	1.3	1.8	1.98	59	25	39	43	14.8	21.6
PG136-202ML	2	2.6	2.86	45	24	35	42	13.3	19.2
PG136-282ML	2.8	3.3	3.63	35	15	22	29.5	10.7	15.3
PG136-372ML	3.7	4.9	5.4	26	13	26	32.5	10.0	13.7
PG136-472ML	4.7	7.0	7.7	30	6	10.1	15	8.2	11.0
PG136-602ML	6	8.4	9.24	22	6	9.2	14	8.0	10.6
PG136-732ML	7.3	5.9	6.5	28	5.5	8.5	12	8.3	11.2
PG136-922ML	9.2	7.8	8.6	26	5	7.8	10.8	8.0	10.4
PG136-113ML	11	9.1	10	12	4	7	9.6	7.2	10.0
PG136-133ML	13	11.2	12.3	14	4.5	6.8	9.2	6.5	8.8
PG136-153ML	15	14.8	16.28	15	5.6	8	10.6	6.2	8.4
PG136-183ML	18	22	24.2	16	3.8	6	8	5.0	6.4
PG136-223ML	22	24.7	27.2	14	3.2	5.5	7	4.0	5.4
PG136-333ML	33	30.5	33.55	11	3	4.2	5.5	3.9	5.2

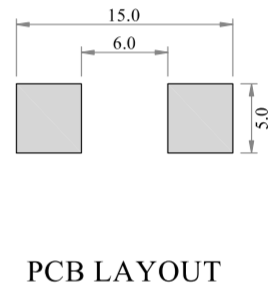
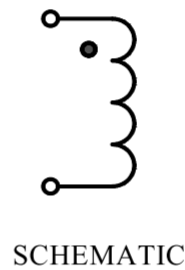
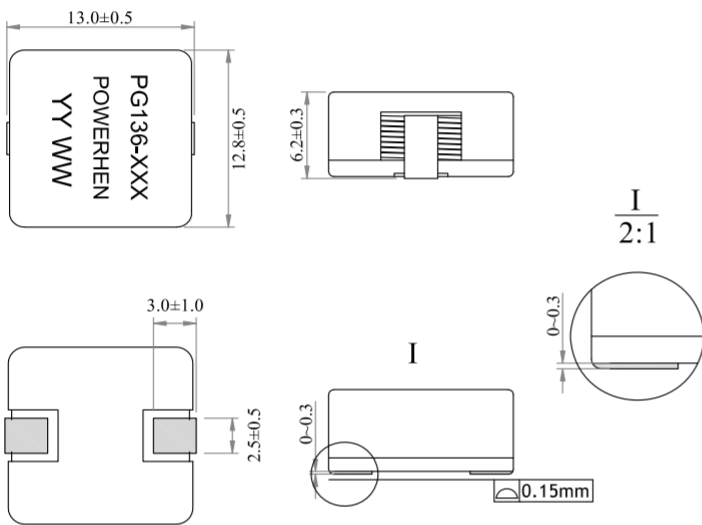
Remark

- ① Inductance is measured with a LCR meter Agilent 4284A or equivalent.
Test frequency at 100kHz
- ② DC resistance is measured with Keithley 580 Milliohm Meter, or equivalent.
Reference ambient temperature 25°C
- ③ SRF measured using an Agilent 4395A network analyzer and an Agilent 16193A test fixture.
- ④ DC current at 25°C that causes the specified Inductance drop from its value without current.
- ⑤ Current that causes the specified temperature rise from 25°C ambient. This information is for reference only and does not represent absolute maximum ratings.
- ⑥ Electrical specifications at 25°C

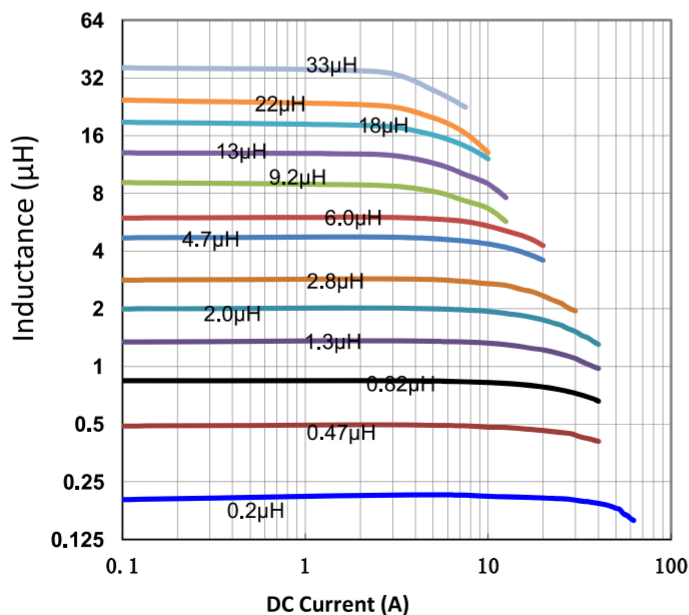
备注

- ① 电感量测试采用 Agilent 4284A 数字电桥或同等仪器；
测试频率 100kHz
- ② 直流电阻测试采用 Keithley 580 毫欧表或同等仪器；
环境温度 25°C
- ③ SRF 使用 Agilent 4395A 网络分析仪和 Agilent 16193A 测试夹具测量。
- ④ 直流电流在 25°C，加载导致指定电感从没有电流的值下降。
- ⑤ 导致指定温度从 25°C 环境温度上升的电流。此信息仅供参考，不代表绝对最大额定值。
- ⑥ 25°C 时的电气规格

Dimensions 结构尺寸

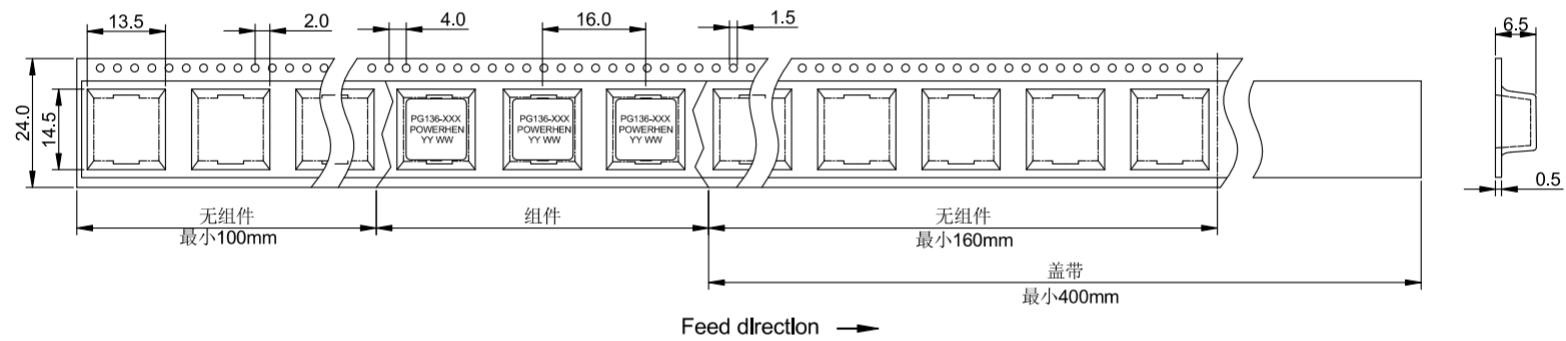
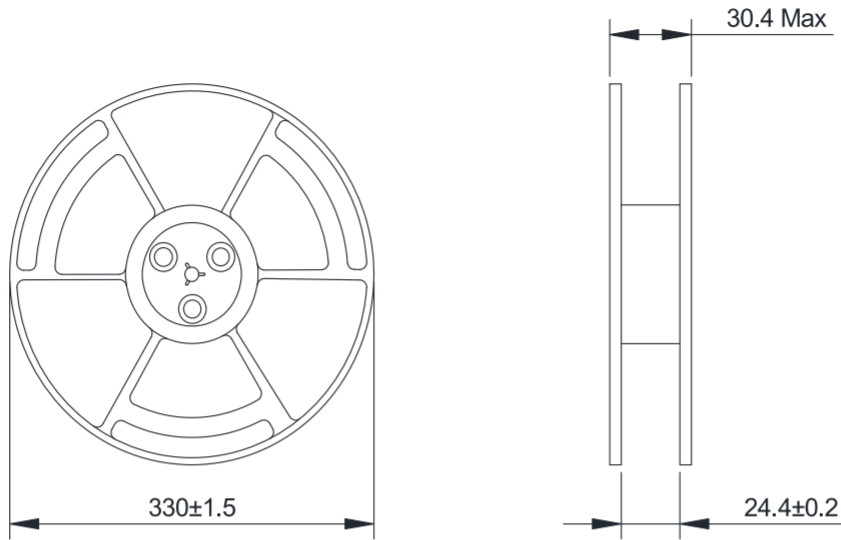


Electrical Characteristic Curve 电气特性曲线



■ Packaging Specification - Tape and Reel: [mm]

包装规格 - 卷带包装: [mm]



Weight 重量: 4.82~5.6g/PCS

Packaging 包装数量: 500 PCS/Reel