

## ■ PD17B Series

### Features 特点

- The optimal design realizes high quality sound and low distortion.  
高音质、低失真最佳设计
- Small compact, and DIP type.  
小体积，直插类型
- Low radiation noise by magnetically shielded construction  
闭合磁路封装，低辐射
- High current, Low resistance.  
大电流，低电阻
- Operating temperature : -40°C~+125°C.  
工作温度：-40°C~+125°C



### Applications 应用

- Suitable as choke for digital amp. Car audio, LCD and PDP TV, 5.1ch Home theater, etc.  
适用于数字功放扼流。如汽车音响，LCD 电视和 PDP 电视，5.1 声道家庭影院等

### Electrical characteristics 电气特性

Part number 料号	Inductance ① 电感量 μH ± 10%	DCR ② 直流电阻 mΩ		SRF ③ 自谐频率 MHz				Isat ④ 直流饱和电流 A typical				Irms ⑤ 温升电流 A typical	
		typ	max.	typical	10% drop	20% drop	30% drop	20°C rise	40°C rise				
PD17B-103KE	10	15.5	18.0	19	28.9	29.8	31.3	5.0	6.5				
PD17B-153KE	15	15.5	18.0	14	17	17.9	18.3	5.0	6.5				
PD17B-223KE	22	15.5	18.0	11	14	15	15.8	5.0	6.5				
PD17B-333KE	33	15.5	18.0	7	9.1	9.7	10.2	5.0	6.5				

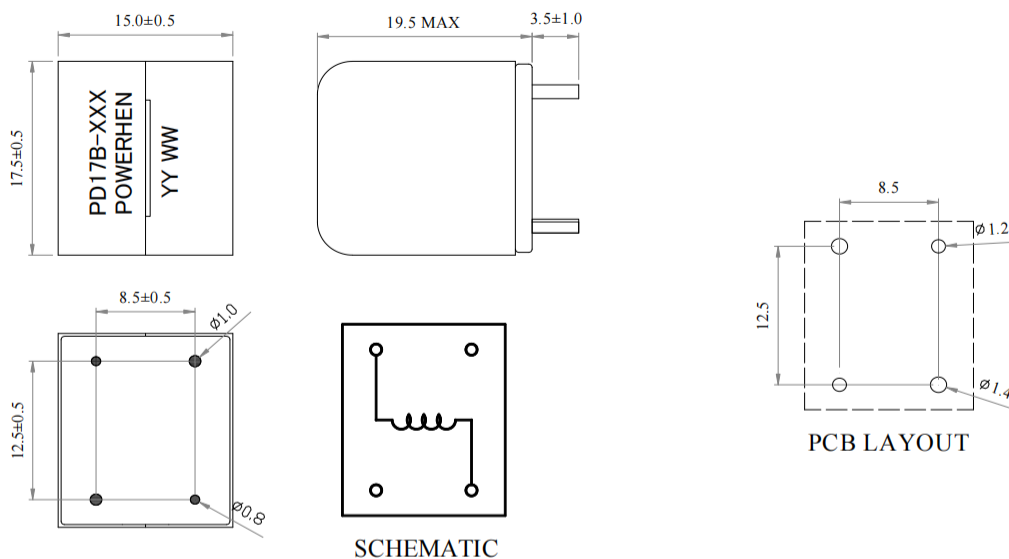
### Remark

- ① Inductance is measured with a LCR meter Agilent 4284A or equivalent.  
Test frequency at 100kHz 1V
- ② DC resistance is measured with Keithley 580 Milliohm Meter, or equivalent.  
Reference ambient temperature 25°C
- ③ SRF measured using an Agilent 4395A network analyzer and an Agilent 16193A test fixture.
- ④ DC current at 25°C that causes the specified Inductance drop from its value without current.
- ⑤ Current that causes the specified temperature rise from 25°C ambient. This information is for reference only and does not represent absolute maximum ratings.
- ⑥ Electrical specifications at 25°C

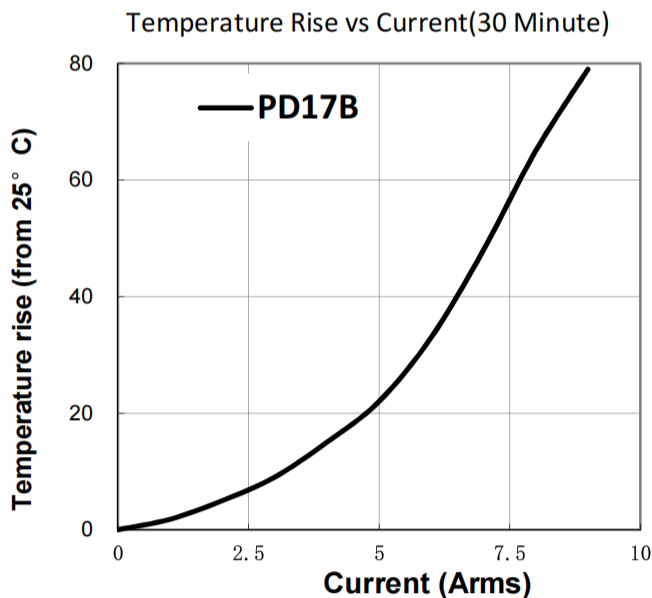
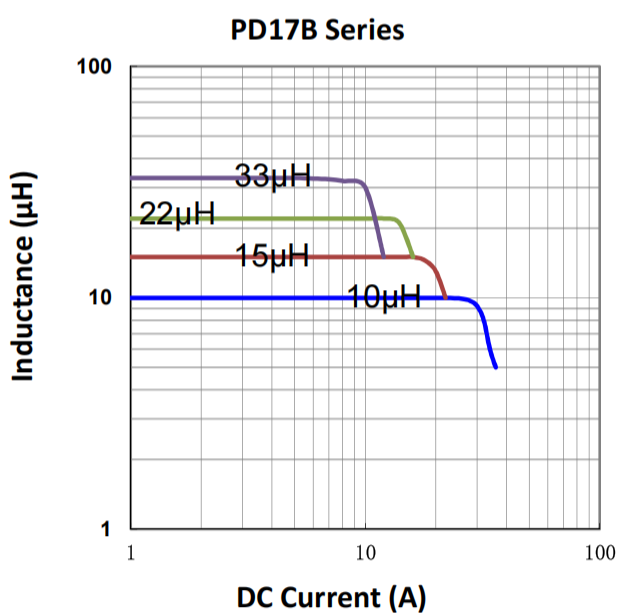
### 备注

- ① 电感量测试采用 Agilent 4284A 数字电桥或同等仪器；  
测试频率 100KHz 1V
- ② 直流电阻测试采用 Keithley 580 毫欧表或同等仪器；  
环境温度 25°C
- ③ SRF 使用 Agilent 4395A 网络分析仪和 Agilent 16193A 测试夹具测量。
- ④ 直流电流在 25°C，加载导致指定电感从没有电流的值下降。
- ⑤ 导致指定温度从 25°C 环境温度上升的电流。此信息仅供参考，不代表绝对最大额定值。
- ⑥ 25°C 时的电气规格

Dimensions 结构尺寸

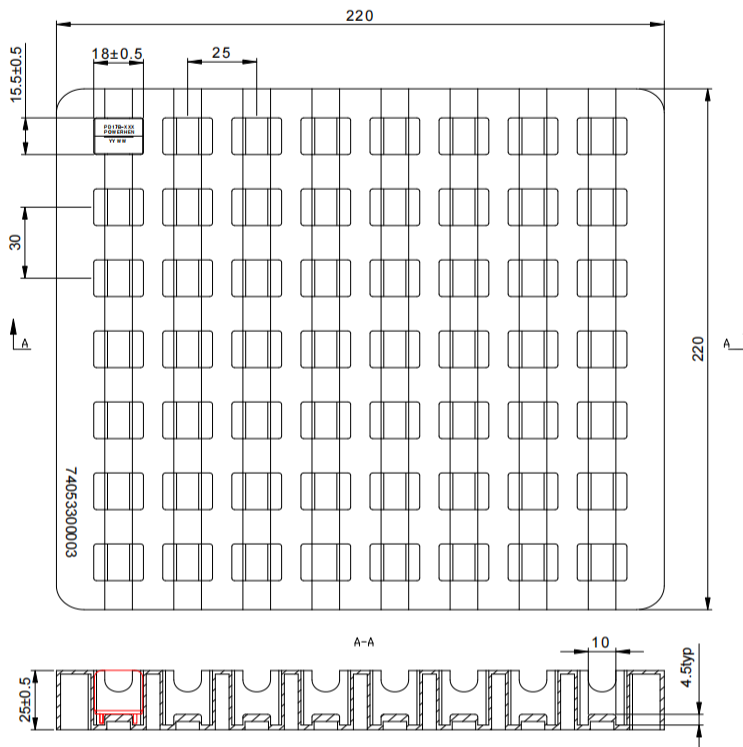


Electrical Characteristic Curve 电气特性曲线



■ Packaging Specification - tray: [mm]

包装规格 - 托盘包装: [mm]



Weight 重量: 18.2~19.25g/PCS

Packaging 包装数量: 56 PCS/盘